

UNIISO™

POWER TO THE WORLD



CASTING CHAIN

UNIISO Industries Co.,Ltd. was founded in 1987, has accumulated over 30 years' chain design, manufacture technology and experience in forging chain, casting chain,punching chain. the company covers an area of 50000 square meters.

Our main products including: sugar mill chain,palm oil chain, cement chain,sewage processing chain,asphalt mixing chain,paver chain,pintle chain,agricultural chain,forging chain, casting chain, engineering chain. welded chain, all chains standard we are conform to ISO.ANSI,DIN,BS&JIS. UNIISO adopt the most advanced technology from Japan and Germany basis on own innovation to producing safe,reliable and excellence performance.

Choosing UNIISO, we will extend the lifespan in your production line and devices.

if you wanna know more about us, pls visit our website:

www.uniisoindustries.com

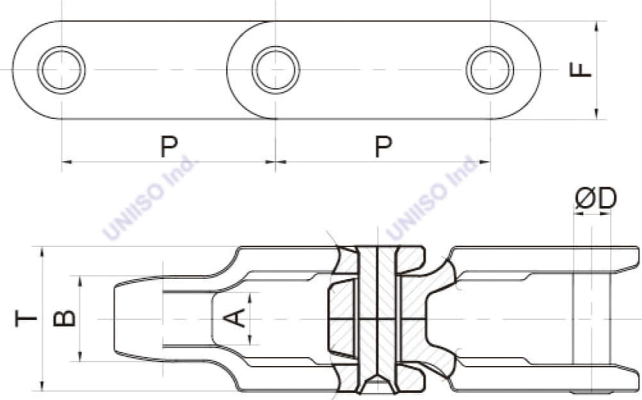
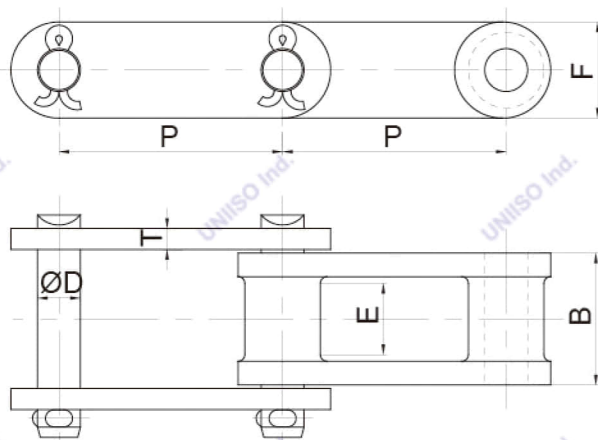


UNIISO C Type Casting Chain



C Type

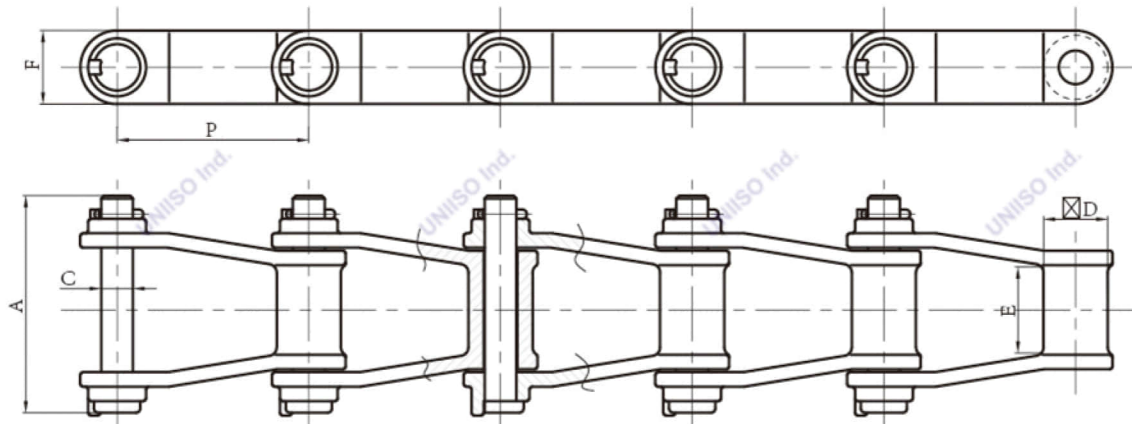
CC Type



Dimension

| Chain No. | Pitch mm | Max allowed Loading Force N | Breaking Load N | Link No. /10ft | Weight kg/m | Dimension (mm) | | | | |
|-----------|----------|--------------------------------|--------------------|----------------|-------------|----------------|-------|------|------|------|
| | | | | | | A | B | D | F | T |
| C55 | 41.4 | 1110 | 9000 | 74 | 3.18 | 17.5 | 32 | 9.5 | 19.0 | 4.8 |
| C55L | 41.4 | 1110 | 9000 | 74 | 4.1 | 17.5 | 32 | 10.0 | 19.0 | 4.8 |
| C77 | 58.6 | 1360 | 11000 | 52 | 3.38 | 17.5 | 32 | 11.1 | 22.0 | 4.8 |
| C188 | 66.3 | 1950 | 14000 | 46 | 5.25 | 23.8 | 39.6 | 12.7 | 29.0 | 5.8 |
| C188L | 66.3 | 1950 | 14000 | 46 | 5.25 | 23.8 | 39.6 | 14.3 | 29.0 | 5.8 |
| C102B | 101.6 | 4000 | 24000 | 30 | 9.35 | 50.8 | 73.0 | 16.0 | 38.0 | 9.0 |
| C111 | 120.9 | 5950 | 36000 | 26 | 18.37 | 60.0 | 86.0 | 19.0 | 44.0 | 9.0 |
| C131 | 78.1 | 3220 | 24000 | 40 | 10.83 | 28.5 | 52.0 | 16.0 | 38.0 | 9.0 |
| C132 | 152.4 | 8330 | 50000 | 20 | 21.56 | 73.0 | 111.0 | 25.4 | 50.8 | 12.0 |
| CC600 | 64 | 1110 | 9000 | 48 | 5.05 | 13 | 23.5 | 11 | 29 | 43 |

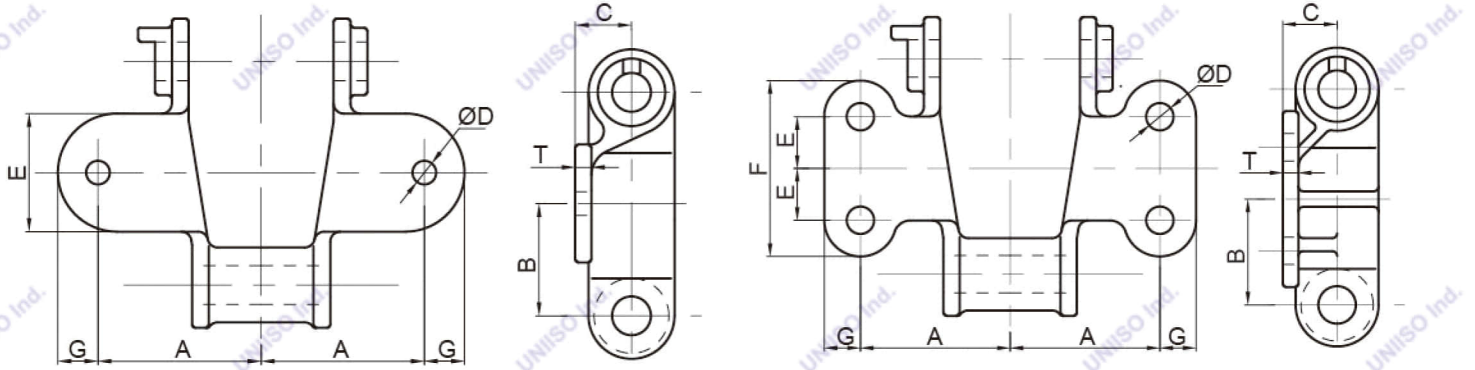
UNIISO 400 Type Casting Chain



Dimension

| Chain No. | Pitch mm | Max working load N | Breaking Load N | Weight kg/m | Links/10ft | Dimension (mm) | | | | | |
|-----------|----------|-----------------------|--------------------|----------------|------------|----------------|-------|-------|-------|-------|-------|
| | | | | | | A | B | C | D | E | F |
| 442 | 34.93 | 452 | 3402 | 2.23 | 88 | 50.8 | 46.83 | 7.94 | 14.29 | 15.88 | 19.05 |
| 445 | 41.4 | 452 | 3402 | 2.38 | 74 | 50.8 | 46.83 | 7.94 | 15.88 | 17.46 | 19.05 |
| 452 | 38.25 | 528 | 3969 | 3.27 | 80 | 56.36 | 67.47 | 9.26 | 17.46 | 15.88 | 21.43 |
| 455 | 41.4 | 577 | 4139 | 3.13 | 74 | 57.94 | 53.98 | 9.26 | 15.88 | 17.46 | 21.43 |
| 462 | 41.5 | 816 | 5103 | 4.02 | 73 | 65.09 | 63.5 | 11.11 | 18.26 | 20.64 | 23.81 |
| 467 | 58.62 | 517 | 3402 | 2.23 | 52 | 56.36 | 53.98 | 7.94 | 16.67 | 9.53 | 19.84 |
| 477 | 58.62 | 762 | 5443 | 3.27 | 52 | 64.29 | 56.36 | 11.11 | 20.64 | 17.46 | 25.4 |
| 488 | 66.27 | 980 | 6237 | 4.61 | 46 | 100 | 73.82 | 11.11 | 22.23 | 23.81 | 23.81 |
| 4103 | 78.11 | 1905 | 12474 | 9.23 | 39 | 87.31 | 84.13 | 19.05 | 30.96 | 28.58 | 38.1 |
| 4124 | 103.2 | 2482 | 18711 | 13.69 | 30 | 120.65 | 113.5 | 20.64 | 43.66 | 31.75 | 44.45 |

UNIISO 400 Type Casting Chain Attachment



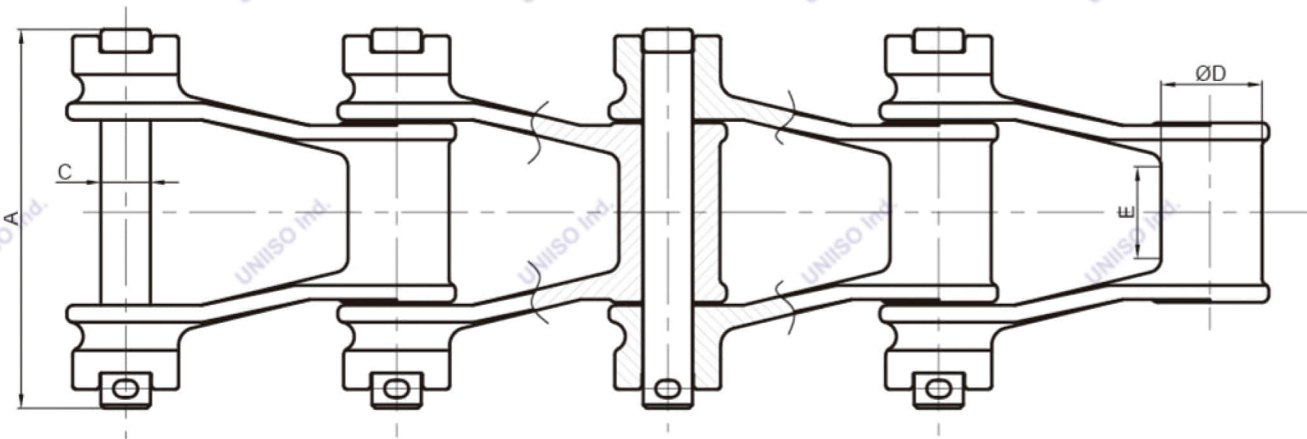
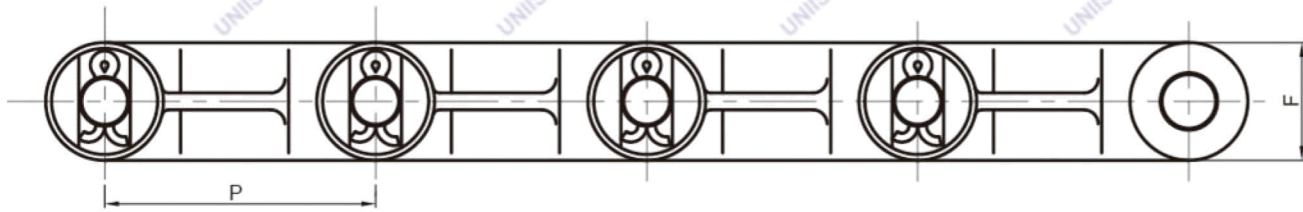
K1 Attachment

| Chain No. | Weight kg/m | Dimension(mm) | | | | | | |
|-----------|----------------|---------------|-------|-------|------|-------|-------|------|
| | | A | B | C | D | E | G | T |
| 445 | 3.13 | 26.19 | 18.26 | 11.11 | 4.76 | 23.81 | 9.53 | 3.18 |
| 452 | 3.72 | 26.19 | 19.05 | 11.11 | 4.76 | 18.26 | 8.73 | 3.97 |
| 455 | 3.42 | 25.4 | 20.64 | 11.11 | 6.35 | 20.64 | 11.11 | 3.97 |
| 462 | 4.76 | 30.16 | 20.64 | 12.7 | 6.35 | 23.81 | 11.11 | 3.97 |
| 467 | 2.98 | 38.1 | 29.37 | 17.46 | 6.35 | 28.58 | 12.7 | 3.18 |
| 477 | 4.32 | 38.1 | 29.37 | 16.67 | 6.35 | 34.93 | 11.91 | 3.97 |
| 488 | 4.32 | 48.42 | 33.34 | 16.67 | 6.35 | 34.93 | 11.91 | 4.76 |
| 4103 | 9.82 | 53.18 | 38.1 | 20.64 | 9.53 | 43.66 | 5/8 | 5.56 |
| 4121 | 16.52 | 76.2 | 51.59 | 25.4 | 9.53 | 63.5 | 25.4 | 8.47 |

K2 Attachment

| Chain No. | Weight kg/m | Dimension(mm) | | | | | | | |
|-----------|----------------|---------------|-------|-------|------|-------|-------|-------|------|
| | | A | B | C | D | E | F | G | T |
| 488 | 6.85 | 46.04 | 32.54 | 16.67 | 7.94 | 53.98 | 15.88 | 11.11 | 4.76 |
| 4103 | 11.91 | 52.39 | 38.89 | 21.43 | 12.7 | 66.68 | 19.05 | 14.29 | 7.94 |
| 4123 | 17.41 | 63.5 | 47.63 | 30.16 | 9.53 | 79.38 | 23.02 | 15.88 | 7.14 |

UNIISO 500 Type Casting Chain

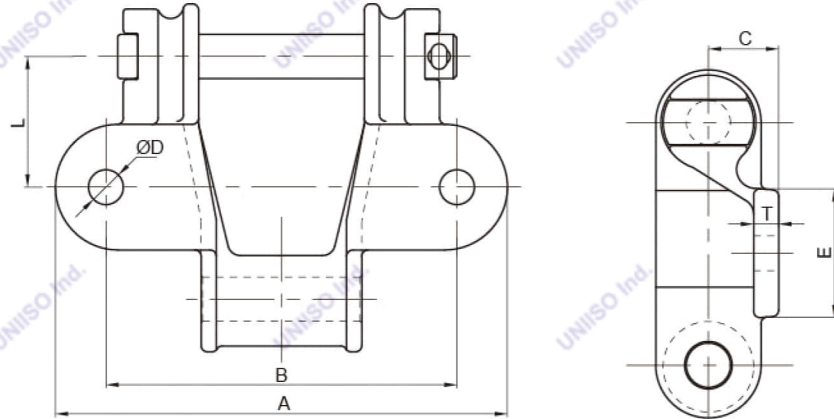


Dimension

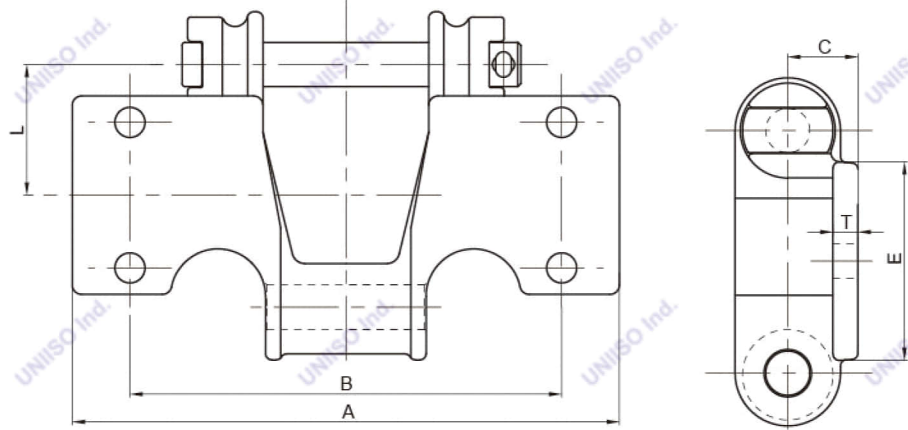
| Chain No. | Weight kg/m | Breaking Load N | Pitch mm | Dimension(mm) | | | | | |
|-----------|----------------|--------------------|-------------|---------------|------|------|------|------|------|
| | | | | A | B | C | D | E | F |
| 503 | 9.23 | 9080 | 76.7 | 109.5 | 52.4 | 14.3 | 27.8 | 28.6 | 34.9 |
| 504 | 12.65 | 12485 | 103.1 | 146 | 73 | 15.9 | 33.3 | 44.5 | 42.9 |

UNIISO 500 Type Casting Chain Attachment

K1 Attachment



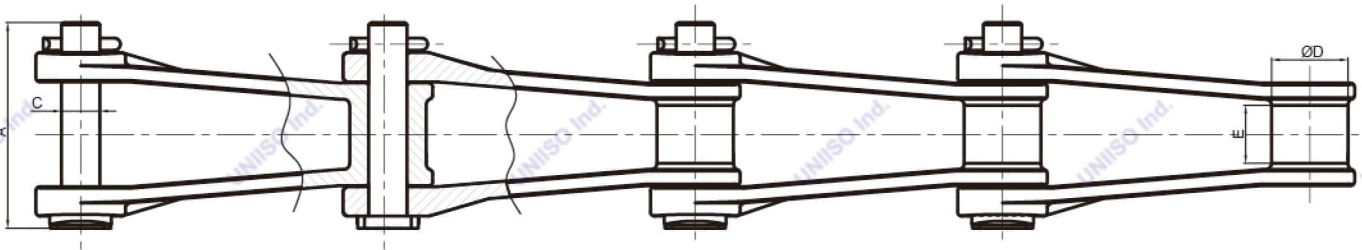
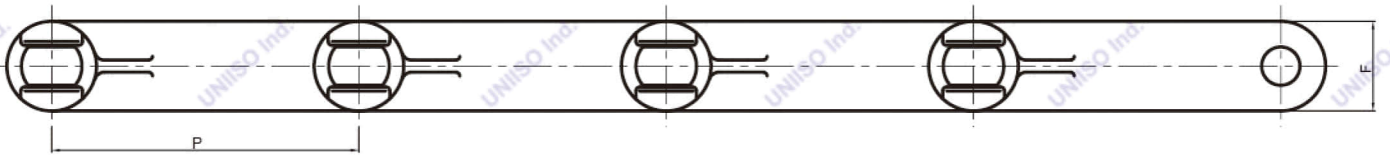
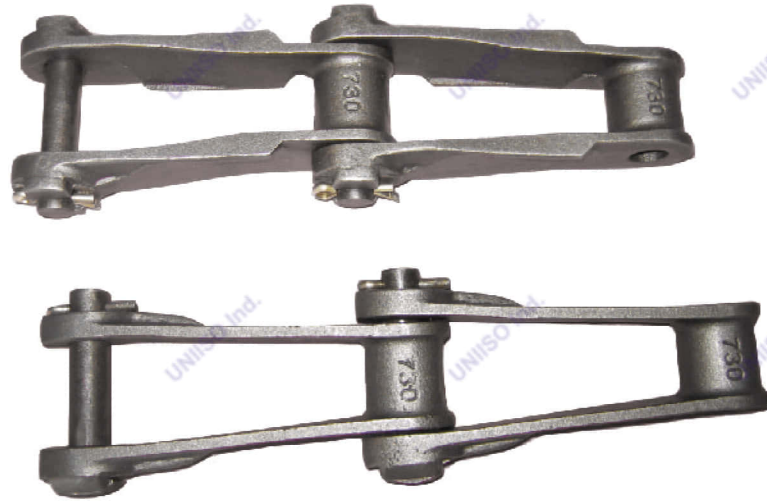
K2 Attachment



Attachment Dimension

| Chain No. | Attch. | Weight kg/m | Dimension(mm) | | | | | | | |
|-----------|--------|-------------|---------------|-------|------|------|------|----|------|------|
| | | | A | B | C | D | E | F | L | T |
| 503 | K-1 | 11.9 | 142.9 | 111.1 | 22.2 | 9.5 | 41.3 | / | 41.3 | 7.9 |
| | K-2 | 14.3 | 173 | 136.5 | 22.2 | 9.5 | 74.6 | 23 | 41.3 | 7.1 |
| 504 | K-1 | 15.0 | 185.7 | 146.1 | 25.4 | 12.7 | 41.3 | / | 50.8 | 9.5 |
| | K-2 | 15.0 | 177.8 | 147.6 | 25.4 | 12.7 | 66.7 | 19 | 52.4 | 12.7 |

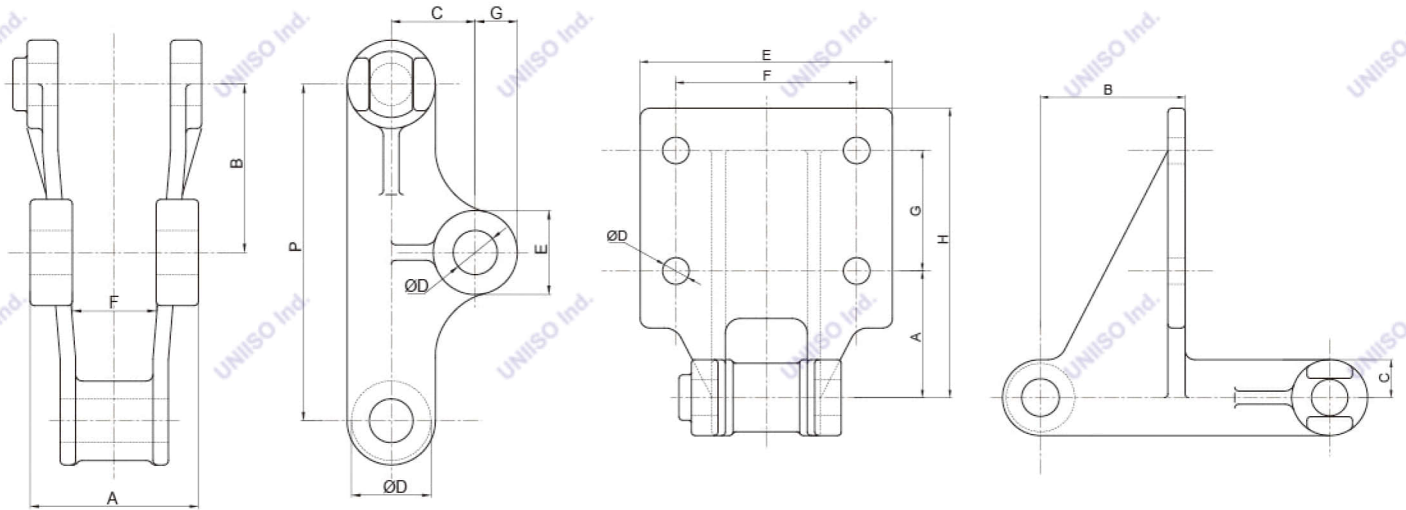
UNIISO 700 Type Casting Chain



Dimension

| Chain No. | Pitch mm | Max working Load N | Breaking Load N | Links/10ft | Weight kg/m | Dimension(mm) | | | | |
|-----------|----------|--------------------|-----------------|------------|-------------|---------------|-------|-------|-------|-------|
| | | | | | | A | C | D | E | F |
| 710 | 119.63 | 1914 | 12474 | 25.5 | 9.38 | 142.88 | 17.46 | 28.57 | 60.33 | 34.93 |
| 720 | 152.4 | 1678 | 12474 | 20 | 6.25 | 90.09 | 17.46 | 34.93 | 28.58 | 38.1 |
| 720S | 152.4 | 1846 | 17010 | 20 | 7.74 | 97.63 | 19.05 | 36.51 | 28.58 | 39.69 |
| 730 | 152.4 | 1955 | 19051 | 20 | 8.93 | 96.84 | 19.05 | 38.1 | 28.58 | 44.45 |

UNIISO 700 Type Casting Chain Attachment



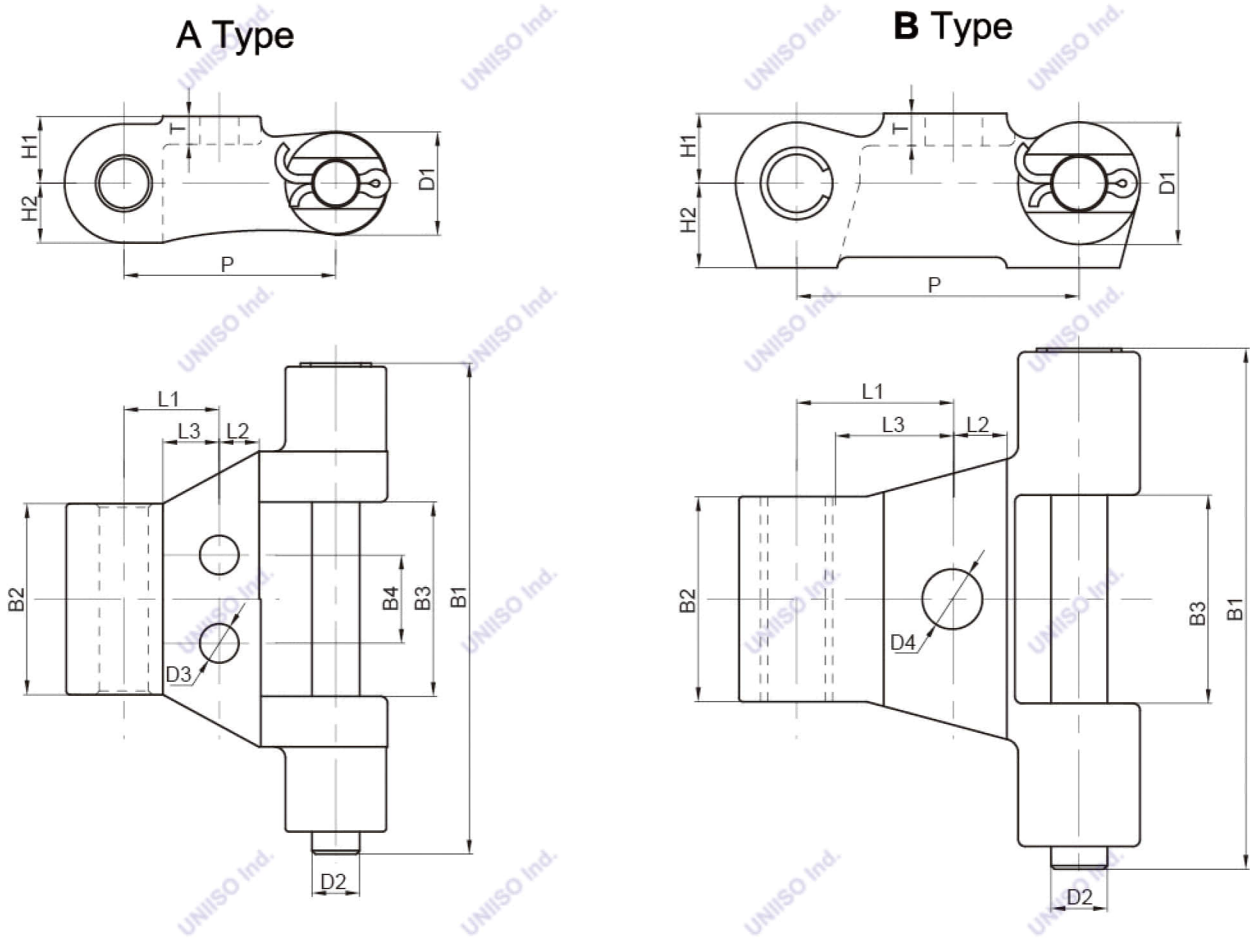
M1 Attachment

| Chain No. | Weight kg/m | Dimension(mm) | | | | | | |
|-----------|----------------|---------------|------|-------|-------|------|------|-------|
| | | A | B | C | D | E | G | F |
| 720 | 8.93 | 76.2 | 76.2 | 38.1 | 19.05 | 38.1 | 38.1 | 19.05 |
| 720S | 9.97 | 76.2 | 76.2 | 38.1 | 19.05 | 38.1 | 38.1 | 19.05 |
| 730 | 11.61 | 76.2 | 76.2 | 41.28 | 19.05 | 38.1 | 38.1 | 19.05 |

F Attachment

| Chain No. | Weight kg/m | Dimension(mm) | | | | | | | |
|-----------|----------------|---------------|------|-------|------|--------|-------|-------|-------|
| | | A | B | C | D | E | F | G | H |
| 720 | 16.67 | 60.33 | 76.2 | 19.05 | 12.7 | 130.18 | 95.25 | 66.68 | 152.4 |
| 720S | 17.11 | 60.33 | 76.2 | 19.84 | 12.7 | 130.18 | 95.25 | 66.68 | 152.4 |
| 730 | 20.54 | 60.33 | 76.2 | 22.23 | 12.7 | 130.18 | 95.25 | 66.68 | 152.4 |

UNIISO Casting Conveyor Chain



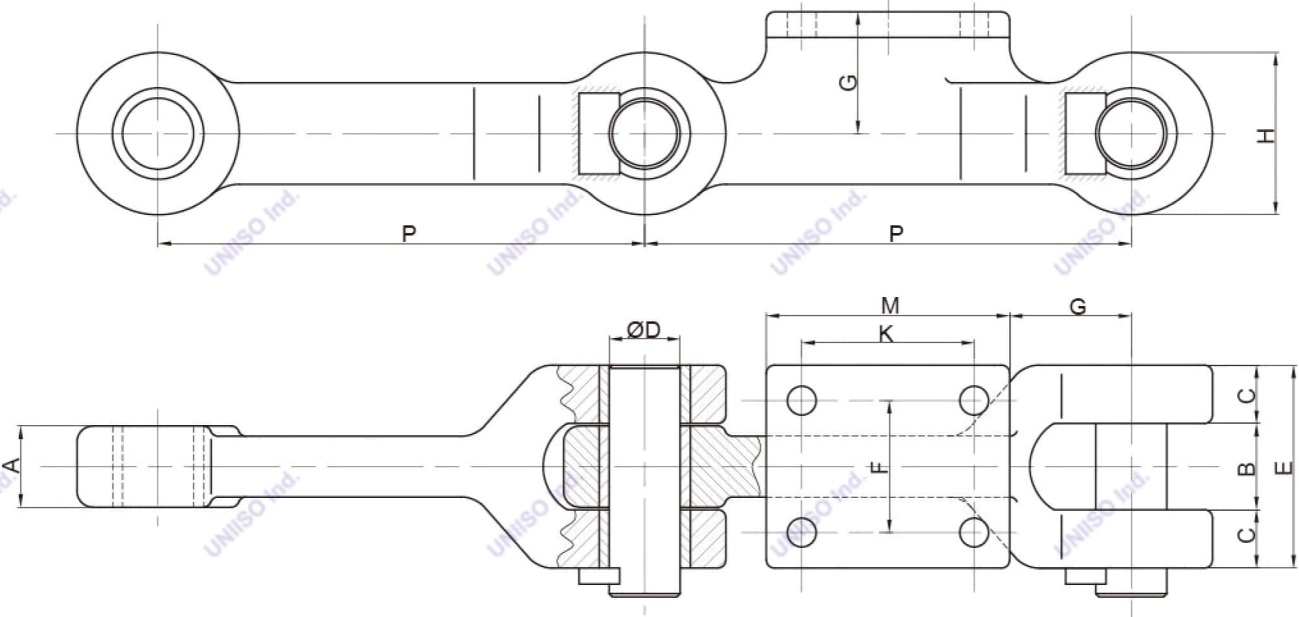
Dimension (mm)

| Chain No. | Load (kN) | Pitch/mm | Size | Chain width b1 | Bush Width b2 | Between B3 Bush | Bush Dia at Joint with spk teeth | Pin Dia. d2 | Atta. Hole d3 | Attach Hole d4 |
|-----------|-----------|----------|------|-------------------|------------------|--------------------|---|----------------|------------------|-------------------|
| 5174E4 | 100 | 59.95 | A | 141.0 | 54.0 | 55.0 | 29.3 | 13.5 | 9.53* | / |
| 901E41 | 133 | 80.0 | B | 147.0 | 58.0 | 59.0 | 34.5 | 16.0 | / | 16.0* |
| 901E43 | 133 | 80.0 | B | 147.0 | 58.0 | 59.0 | 34.5 | 16.0 | 9.53* | / |
| 901E42 | 133 | 80.0 | B | 147.0 | 58.0 | 59.0 | 34.5 | 16.0 | / | 16.0* |
| 901E44 | 133 | 80.0 | B | 147.0 | 58.0 | 59.0 | 34.5 | 16.0 | 9.53* | / |
| 901E51 | 155 | 80.5 | B | 147.0 | 58.0 | 59.0 | 36.3 | 16.0 | / | 16.0* |

UNIISO Casting Conveyor Chain

Dimension

| Attach. Positation | | | Attach. hole spacing B4 | Attch. Top plate height h1 | Hole center offline depth h2 | Attach. Top platethickns t1 | Breaking Load kN |
|--------------------|------|------|----------------------------|-------------------------------|---------------------------------|--------------------------------|---------------------|
| L1 | L2 | L3 | | | | | |
| 27.0 | 11.2 | 16.0 | 25.4 | 19.0 | 16.8 | 7.9 | 2.00 |
| 44.5 | 15.0 | 19.8 | / | 19.8 | 23.9 | 9.1 | 2.66 |
| 44.5 | 15.0 | 19.8 | 28.4 | 19.8 | 23.9 | 9.1 | 2.66 |
| 39.6 | 16.8 | 15.0 | / | 19.8 | 23.9 | 9.1 | 2.66 |
| 39.6 | 16.5 | 15.0 | 28.4 | 19.8 | 23.9 | 9.1 | 2.60 |
| 38.1 | 17.5 | 17.5 | / | 18.3 | 23.9 | 9.1 | 3.10 |



Dimension (mm)

| Chain No. | Pitch mm | Weight kg/link | | loading Strength kg | Dimension(mm) | | | | | | | | | | | | | |
|-----------|----------|----------------|----------------------|---------------------|---------------|----|------|------|-----|------|------|-----|------|-----|-----|-------|------|------|
| | | Link | Link with Attachment | | A | B | C | D | E | F | G | H | J | K | L | M | P | T |
| P304.8 | 304.8 | 14 | 17 | 88000 | 50.8 | 54 | 36.5 | 44.5 | 127 | 82.6 | 76.2 | 100 | 63.5 | 108 | 158 | 152.4 | 17.5 | 38.1 |

UNIISOTM
POWER TO THE WORLD



Shanghai UNIISO Industries Co.,Ltd.

Add: No.5699, Hangnan Rd. Fengpu Industrial Park

Fengxian Dist. Shanghai City, P.R.China.

Tel:+8617317253554

Email: sales@uniisoindustries.com

www.uniisoindustries.com

