

UNIISO™

POWER TO THE WORLD



ENGINEERING CONVEYOR CHAIN

UNIISO Industries Co.,Ltd. was founded in 1987, has accumulated over 30 years' chain design, manufacture technology and experience in forging chain, casting chain,punching chain. the company covers an area of 50000 square meters.

Our main products including: sugar mill chain,palm oil chain, cement chain,sewage processing chain,asphalt mixing chain,paver chain,pintle chain,agricultural chain,forging chain, casting chain, enginnering chain. welded chain, all chains standard we are conform to ISO.ANSI,DIN,BS&JIS. UNIISO adopt the most advanced technology from Japan and Germany basis on own innovation to producing safe,reliable and excellence performance.

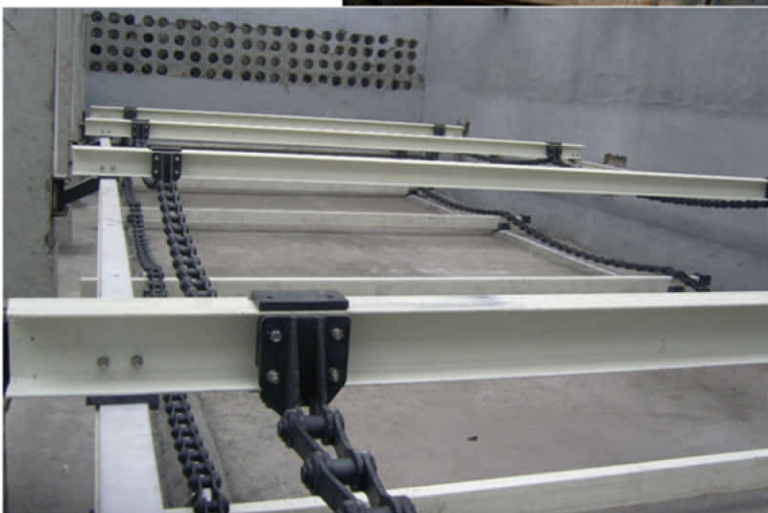
Choosing UNIISO, we will extend the lifespan in your production line and devices.

if you wanna know more about us, pls visit our website:

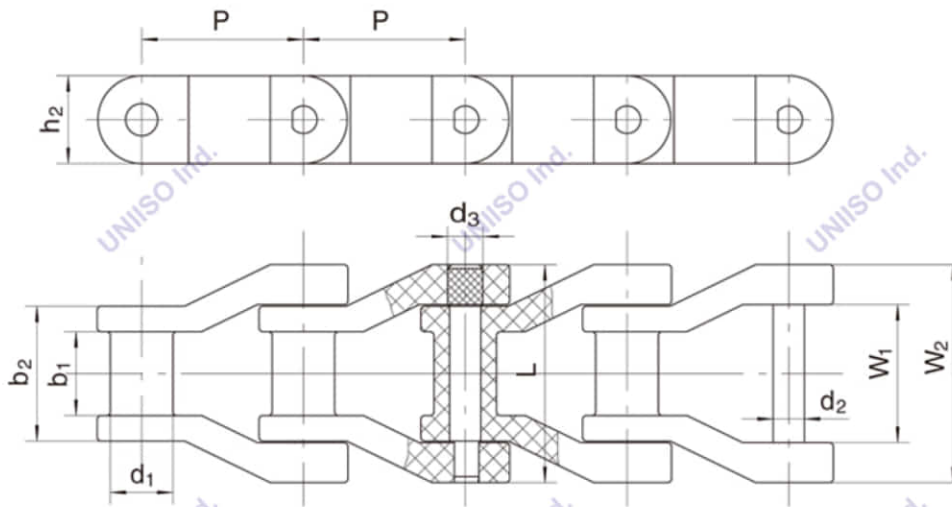
www.uniisoindustries.com



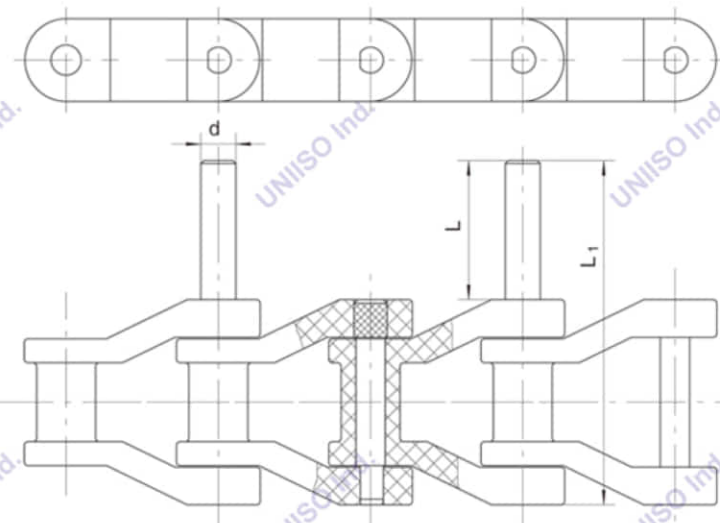
污水处理 Sewage Processing



Wastewater Treatment Polymeric Chains

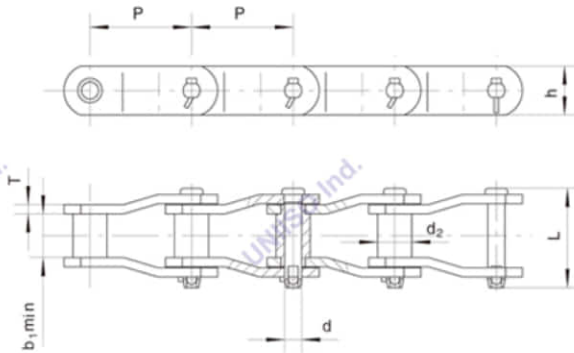


链号 Chain No.	节距 Pitch P	窄端 Narrow end		宽端 Wide end		套筒 Barrel d ₁	链板 Sidebars h ₂	销轴 Pin d ₂	销轴 Pin d ₃	L	最小抗拉强度 Ultimate tensile strength Fu (min) kN	每米重量 Weight per meter q kg/m
		b ₁ (min) mm	b ₂ (min) mm	W ₁ (min) mm	W ₂ (min) mm							
NH45	41.4	21.4	34.4	35.2	55.6	16	22.4	7.92	8.2	55.4	6	1.5
NH78	41.4	27.4	41.4	42.3	74.3	22.23	28.6	11.1	11.6	73.9	18	2.1

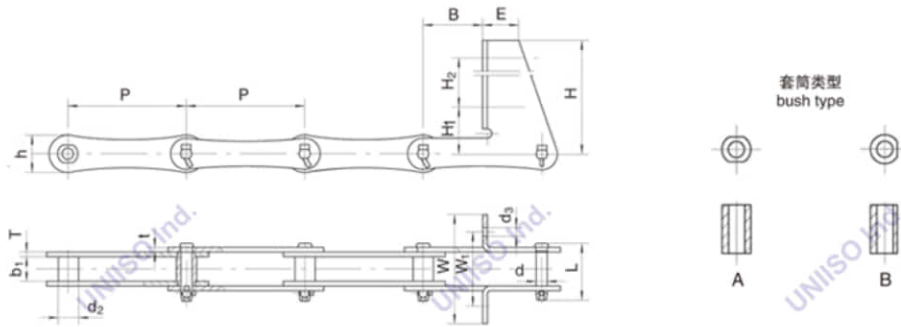


链号 Chain No.	d mm	L mm	L ₁ mm
NH45-D1	9.52	37.7	93.1
NH45-D5	7.87	38.1	93.5
NH45-D6	9.65	38.1	93.5
NH45-D7	11.18	38.1	93.5
NH45-D8	12.7	38.1	93.5
NH45-D9	14.22	38.1	93.5
NH78-D7	11.18	38.1	112
NH78-D8	12.7	38.1	112
NH78-D9	14.22	38.1	112

Sewage Treatment Chains



链号 Chain No.	节距 Pitch	内节内宽 Width Between inner sidebars	套筒 外径 Bush diameter	销轴 Pin		链板 Sidebar		最小抗拉强度 Ultimate tensile strength	
				P mm	b ₁ (min) mm	d ₂ (max) mm	d mm	L mm	h mm
HB78SS	66.27	28.6	22.23	11.17	66.5	31.8	6	106.6	



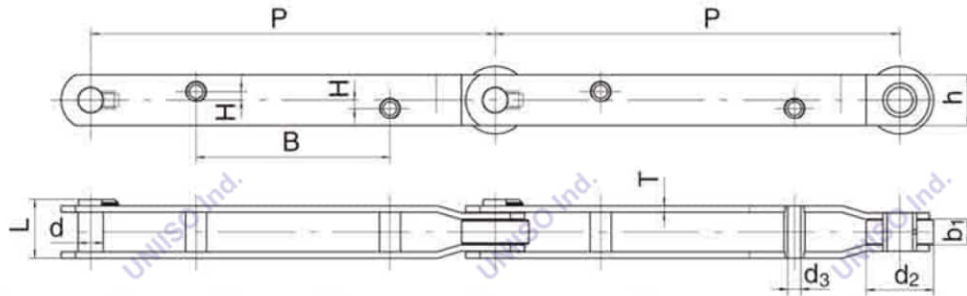
链号 Chain No.	节距 Pitch	内节内宽 Width between inner sidebars	套筒 外径 Bush diameter	销轴 Pin		链板 Sidebar		最小抗拉强度 Ultimate tensile strength Fu(min) kN	
				P mm	b ₁ (min) mm	d ₂ (max) mm	d mm	L mm	h mm
SAV715SS-F228	152.4	30	26	14.5	72.2	48	6	128.9	146.6
FAV715SS-F228	152.4	30	26	14.5	72.2	48	6	128.9	146.6
SS700SS-F226	152.4	30	26	14.5	72.2	48	6	128.9	146.6

链号 Chain No.	W ₁ mm	W mm	B mm	d ₃ mm	E mm	H ₁ mm	H ₂ mm	H mm	套筒类型 Bush Type
SAV715SS-F228	95.3	139.7	76.2	11.1	46	60.3	114.3	200	A
FAV715SS-F228	95.3	139.7	76.2	11.1	46	60.3	114.3	200	B
SS700SS-F226	95.3	139.7	76.2	14.29	46	60.3	66.68	157.2	A

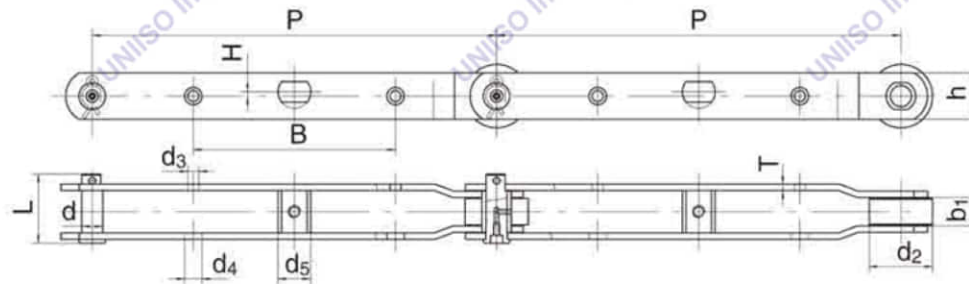
*根据使用要求，可以选用不同的不锈钢材质:304SS 403SS 316SS 17-4PH(630SS)

*According to working requirement, different kinds of stainless steel materials can be selected to use:
304SS 403SS 316SS 17-4PH(630SS)

Sewage Treatment Chains



链号 Chain No.	节距 Pitch	内节内宽 Width between inner sidebars	滚子 外径 Roller diameter	支承套 内径 Supporting sleeve diameter	销轴 Pin		链板 Sidebar				最小抗拉 强度 Ultimate tensile strength	每米 重量 Weight per meter
					d	L	h	T	B	H		
UNIISO15050	609.6	38	101.6	20.5	30.56	88.1	76.2	9.5	292.1	12.7	370	17.4
UNIISO15055	609.6	38	101.6	20.5	30.56	88.1	76.2	9.5	292.1	12.7	370	17.4
UNIISO15060	609.6	38	101.6	20.5	30.56	88.1	76.2	9.5	292.1	12.7	370	17.4
UNIISO15065	609.6	38	101.6	20.5	30.56	100.8	76.2	12.7	292.1	12.7	490	21.6
UNIISO15090	609.6	38	101.6	20.5	38.15	88.1	76.2	9.5	292.1	12.7	370	17.5
7497X39	609.6	39.3	101.6	20.24	30.73	84.14	76.2	9.5	292.1	12.7	370	17.37



链号 Chain No.	节距 Pitch	内节内宽 Width between inner sidebars	滚子 外径 Roller diameter	支承套 外径 Supporting sleeve diameter	销轴 Pin		链板 Sidebar				最小抗拉 强度 Ultimate tensile strength	每米 重量 Weight per meter	
					d	L	h	T	B	d _s			d _r
UNIISO15070	609.6	42.9	95.25	49.2	31.8	100.3	69.85	9.5	304.8	16.7	26.2	289	16.8
UNIISO15075	609.6	41.2	95.25	49.2	31.8	110.9	69.85	12.7	304.8	16.7	26.2	289	20.8
UNIISO15080	609.6	42.9	95.25	49.2	31.8	100.3	69.85	9.5	304.8	16.7	26.2	289	17.2

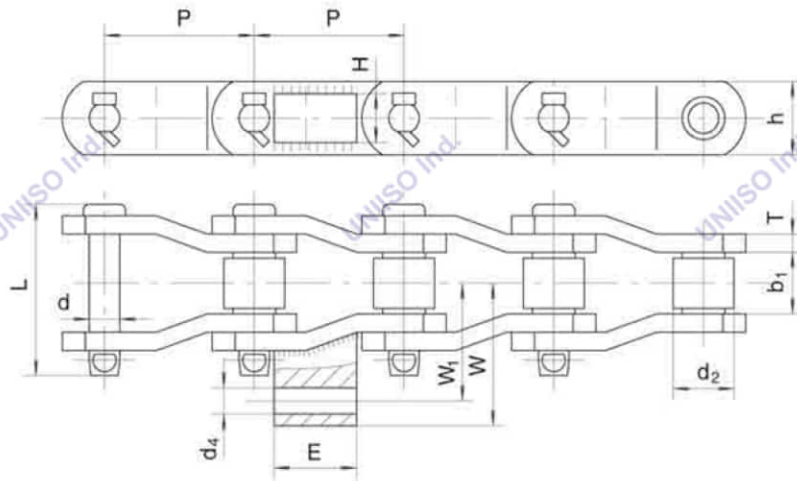
*根据使用要求，可以选用不同的不锈钢材质:304SS 403SS 316SS 17-4PH(630SS)

*According to working requirement, different kinds of stainless steel materials can be selected to use: 304SS 403SS 316SS 17-4PH(630SS)

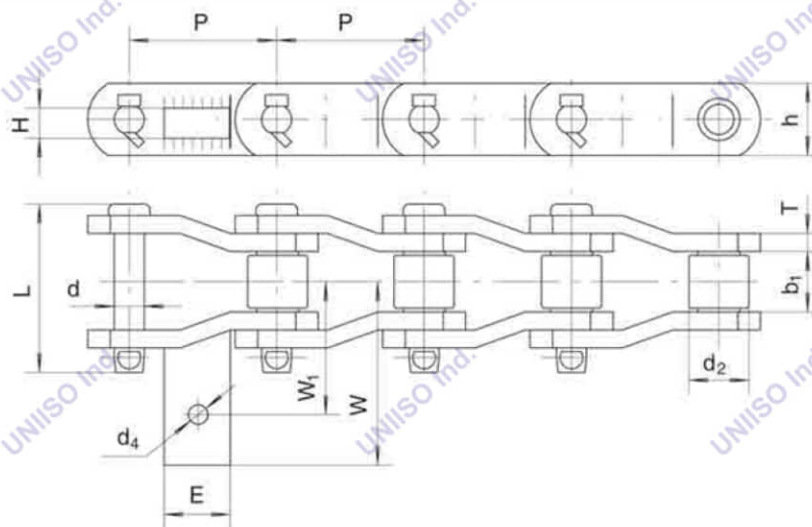
摊铺机 Paver



Paver chains

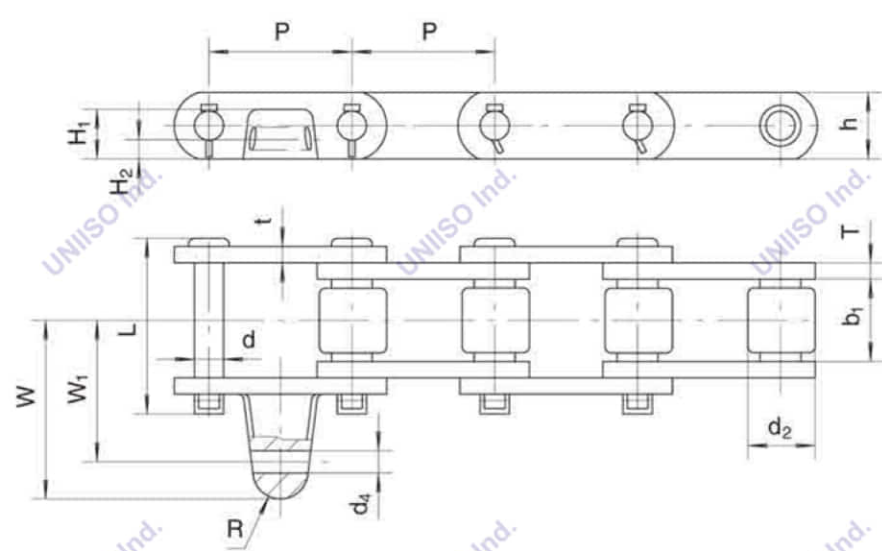


链号 Chain No.	节距 Pitch	滚子外径 Roller diameter	内节内宽 Width between inner sidebars	销轴 Pin		链板 Sidebar		最小抗拉强度 Ultimate tensile strength	W ₁ mm	W mm	d ₄ mm	E mm	H mm
	P mm	d ₂ (max) mm	b ₁ (min) mm	d mm	L mm	h mm	T mm	Fu(min) kN					
B5046	78.1	31.75	37.9	15.88	88.1	38.1	8	213.6	62.1	75	13.6	43	25.4

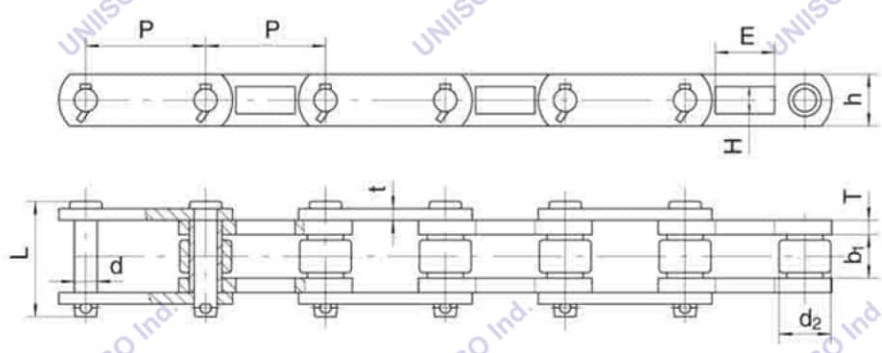


链号 Chain No.	节距 Pitch	滚子外径 Roller diameter	内节内宽 Width between inner sidebars	销轴 Pin		链板 Sidebar		最小抗拉强度 Ultimate tensile strength	W ₁ mm	W mm	d ₄ mm	E mm	H mm
	P mm	d ₂ (max) mm	b ₁ (min) mm	d mm	L mm	h mm	T mm	Fu(min) kN					
* SS40-A1	78.1	31.75	31.4	15.88	89.2	38.1	9.5	265	70	96.8	10.3	38.1	16

Paver chains

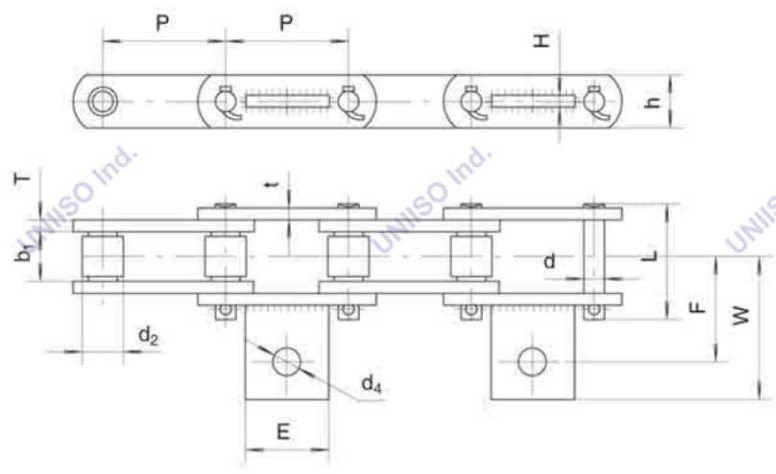


链号 Chain No.	节距 Pitch	滚子 外径 Roller diameter	内节内宽 Width between inner sidebars	销轴 Pin		链板 Sidebar			最小抗 拉强度 Ultimate tensile strength	附件 ATT.					
				d	L	h	t/T	Fu(min) kN		W ₁ mm	W mm	d ₂ mm	R mm	H ₁ mm	H ₂ mm
C1594	69.85	31.75	24.8	14.27	71.2	32.5	8	130	62.1	80.2	11	13.5	24	9.5	

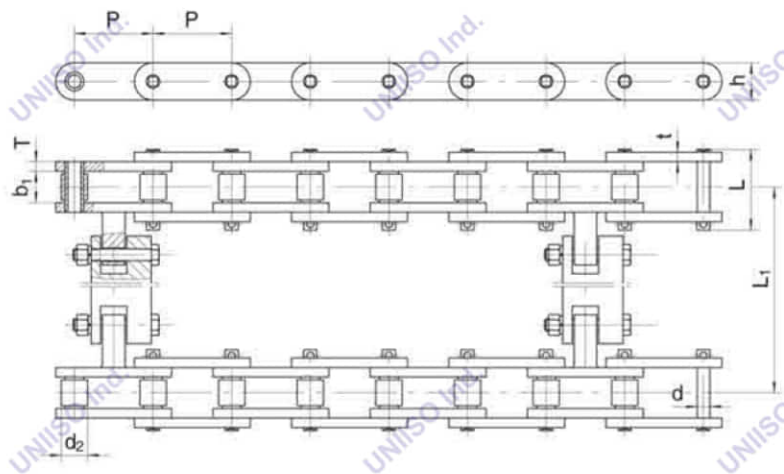


链号 Chain No.	节距 Pitch	滚子 外径 Roller diameter	内节内宽 Width between inner sidebars	销轴 Pin		链板 Sidebar				最小抗 拉 强度 Ultimate tensile strength	每米 重量 Weight per meter
				d	L	h	t/T	H	E		
C1598	69.85	31.75	15.8	14.27	61.7	32.5	8	14.2	33.3	130	6.8

Paver chains



链号 Chain No.	节距 Pitch	滚子 外径 Roller diameter	内节内宽 Width between inner sidebars	销轴 Pin		链板 Sidebar		最小抗 拉强度 Ultimate tensile strength	附件 ATT.				
	P mm	d_2 (max) mm	b_1 (min) mm	d mm	L mm	h mm	t/T mm	Fu(min) kN	F mm	W mm	d_4 mm	E mm	H mm
SGR-188	66.27	22.23	26.8	11.1	62.4	28.6	6.4	124.6	43.5	58.4	6.3	31.8	6.4

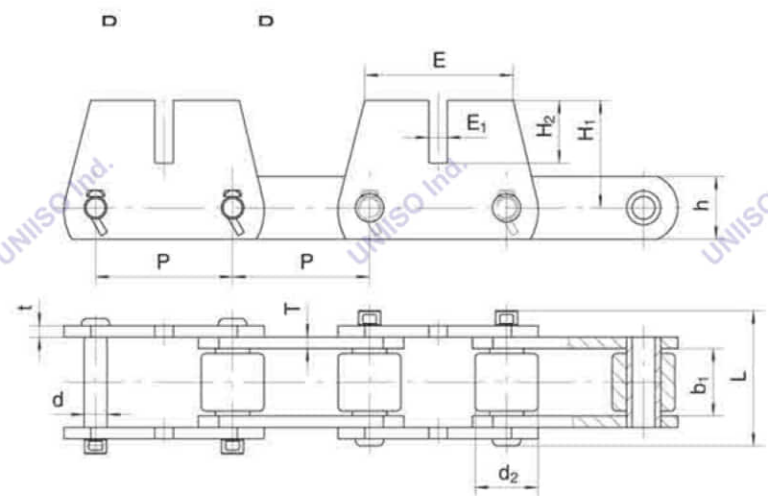


链号 Chain No.	节距 Pitch	滚子外径 Roller diameter	内节内宽 Width between inner sidebars	销轴 Pin		链板 Sidebar		最小抗拉强度 Ultimate tensile strength	L_1 mm
	P mm	d_2 (max) mm	b_1 (min) mm	d mm	L mm	h mm	t/T mm	Fu(min) kN	
UNIISO16029	66.27	22.23	26.99	11.1	31.4	31.4	7.5	373.4	990.6

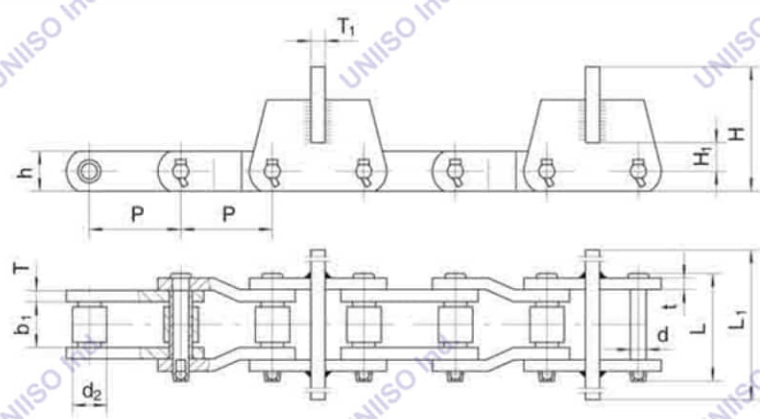
沥青搅拌 Asphalt Mixer



Asphalt industrial chains

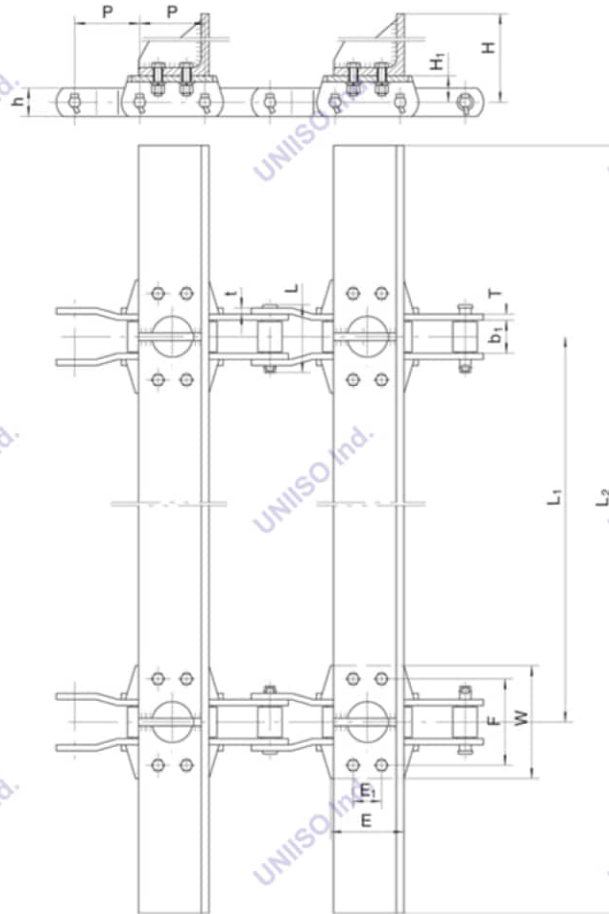


链号 Chain No.	节距 Pitch	滚子 外径 Roller diameter	内节内宽 Width between inner sidebars	销轴 Pin		链板 Sidebar		最小抗 拉强度 Ultimate tensile strength	每米 重量 Weight per meter	附件 ATT.			
	P mm	d _r (max) mm	b _i (min) mm	d mm	L mm	h mm	t/T mm	Fu(min) kN	q kg/m	H ₁ mm	H ₂ mm	E ₁ mm	E mm
UNIISO15517	78.1	37.8	31.75	15.88	44.5	48.9	38.1	9.5	266.7	63.55	33.55	12.5	88.9
UNIISO15518	78.1	37.8	31.75	15.88	47.7	52.1	44.5	9.5/12.7	266.7	60.35	34.95	12.8	92
C9856-M2	152.4	74.93	69.85	25.3	72.6	82.3	69.85	12.7	622	117.47	69.84	20.6	165.1



链号 Chain No.	节距 Pitch	滚子 外径 Roller diameter	内节内 宽 Width between inner sidebars	销轴 Pin		链板 Sidebar		最小抗 拉强度 Ultimate tensile strength	每米 重量 Weight per meter	附件 ATT.			
	P mm	d _r (max) mm	b _i (min) mm	d mm	L mm	h mm	t/T mm	Fu(min) kN	q kg/m	H ₁ mm	H mm	T ₁ mm	L ₁ mm
UNIISO15519	101.6	38.1	50.4	19.05	121	44.5	12.7	355.6	52.4	31.75	231.8	16	406.4
SS2125-M1	101.6	31.75	49.28	15.87	98.6	38.1	8	195	12.6	-	35.71	-	-

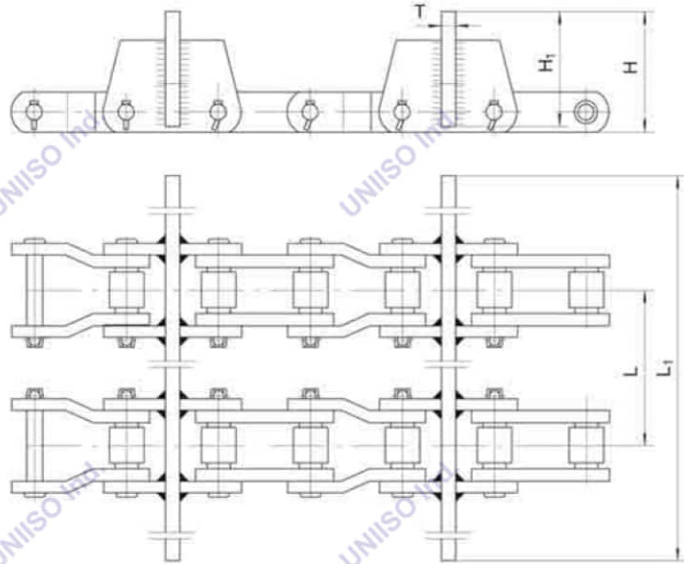
Caterpillar Drive chain



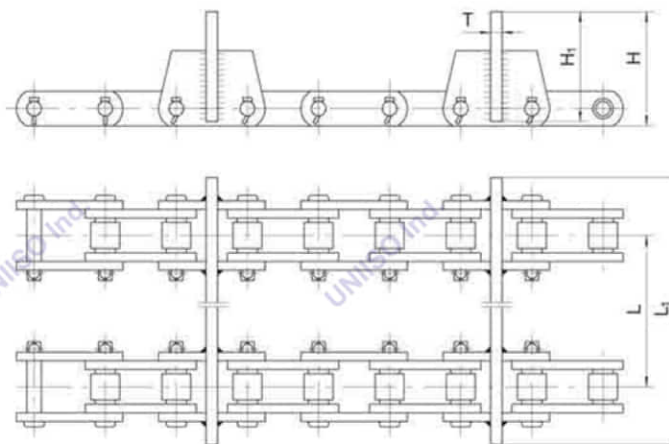
链号 Chain No.	节距 Pitch	滚子 外径 Roller diameter	内节内宽 Width between inner sidebars	销轴 Pin		链板 Sidebar		最小抗拉强度 Ultimate tensile strength
	P mm	d ₂ (max) mm	b ₁ (min) mm	d mm	L mm	h mm	t/T mm	Fu(min) kN
UNIISO15511	101.6	50.4	38.1	19.05	108	44.5	9.5	290

链号 Chain No.	F mm	W mm	E ₁ mm	E mm	H mm	H ₁ mm	L ₁ mm	L ₂ mm
UNIISO15511	134.9	176.3	44.45	114.3	41.4	243.65	876.3	1473.2

Asphalt industrial chains

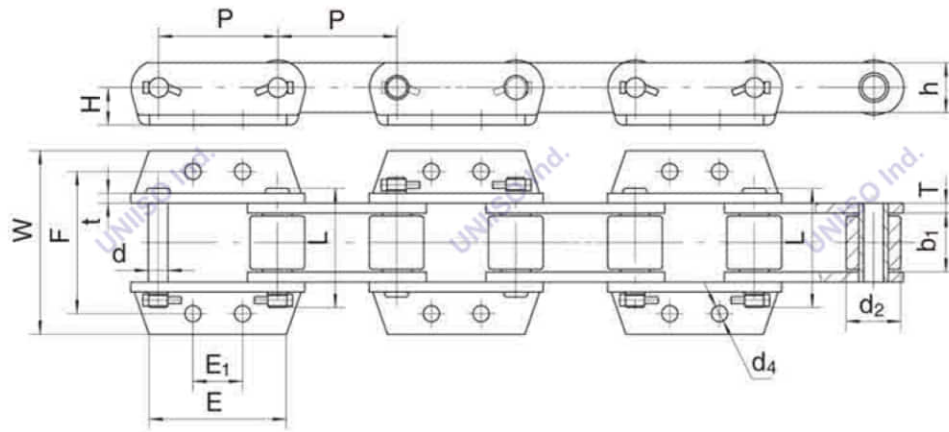


链号 Chain No.	T mm	H mm	Hi mm	L mm	Li mm
UNIISO15491-1-59	16	231.8	177.8	876.3	1422.4
UNIISO15491-1-58	16	231.8	177.8	876.3	1473.2
UNIISO16464	16	231.8	177.8	495.3	895.4
UNIISO16463	16	133.3	127	876.2	1428.3
UNIISO16549	16	231.8	177.8	495.3	812.8

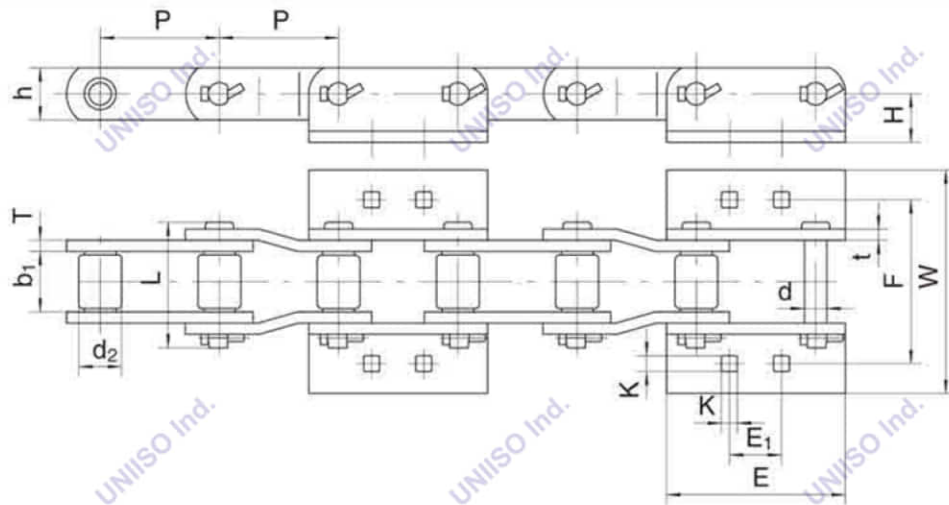


链号 Chain No.	T mm	H mm	Hi mm	L mm	Li mm
UNIISO15517	12	125.5	120.8	622.3	749.3
UNIISO15759	12	127	120.7	622.3	762

Asphalt industrial chains

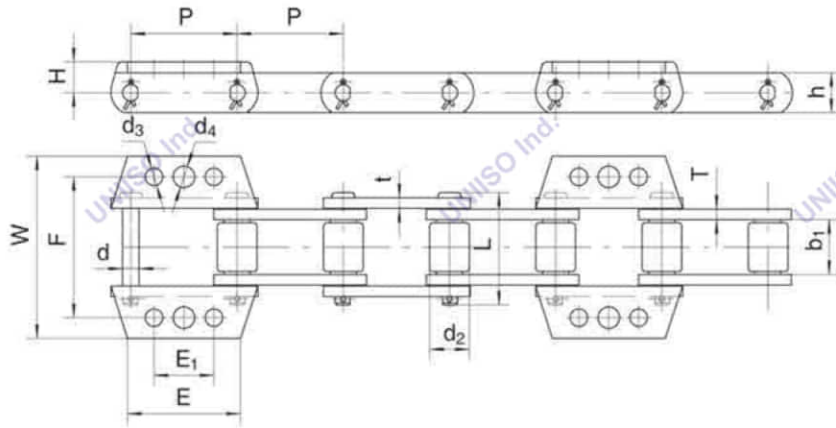


链号 Chain No.	节距 Pitch	滚子外径 Roller diameter	内节内宽 Width between inner sidebar	销轴 Pin		链板 Sidebar		最小抗拉强度 Ultimate tensile strength	附件 ATT.					
	P mm	d _r (max) mm	b _i (min) mm	d mm	L mm	h mm	t/T mm	Fu(min) kN	F mm	W mm	E _i mm	E mm	d _i mm	H mm
B9856-K44	152.4	69.85	74.93	25.3	154.9	63.5	12.7	500	184.15	237.2	63.5	175.5	20.63	47.63

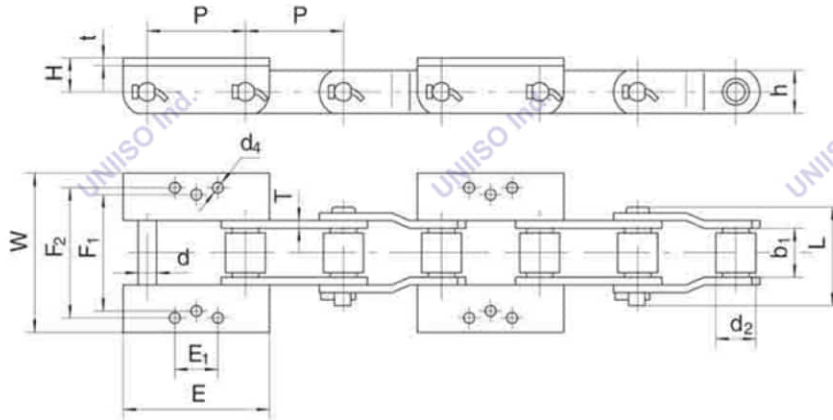


链号 Chain No.	节距 Pitch	滚子外径 Roller diameter	内节内宽 Width between inner sidebar	销轴 Pin		链板 Sidebar		最小抗拉强度 Ultimate tensile strength	附件 ATT.					
	P mm	d _r (max) mm	b _i (min) mm	d mm	L mm	h mm	t/T mm	Fu(min) kN	F mm	W mm	K mm	E _i mm	E mm	H mm
C3952-K2	101.6	36.53	50.4	19.05	110	44.5	9.5	280	139.7	177.8	13.5	44.45	152.4	41.3
A2868-K2	101.6	36.5	49.61	18.92	110.5	44.5	9.5	248	139.7	178.2	13.5	44.45	146	41.3

Asphalt industrial chains



链号 Chain No.	节距 Pitch	滚子外径 Roller diameter	内节内宽 Width between inner sidebar	销轴 Pin		链板 Sidebar		最小抗拉强度 Ultimate tensile strength	附件 ATT.						
	P mm	d ₃ (max) mm	b ₃ (min) mm	d mm	L mm	h mm	l/T mm	F _U (min) kN	F mm	W mm	E1 mm	E mm	d ₄ mm	d ₅ mm	H mm
3433-K33	101.6	38.1	52.83	15.74	109	38.1	9.5	190	134.9	174.6	57.2	108	16.66	20.63	28.6

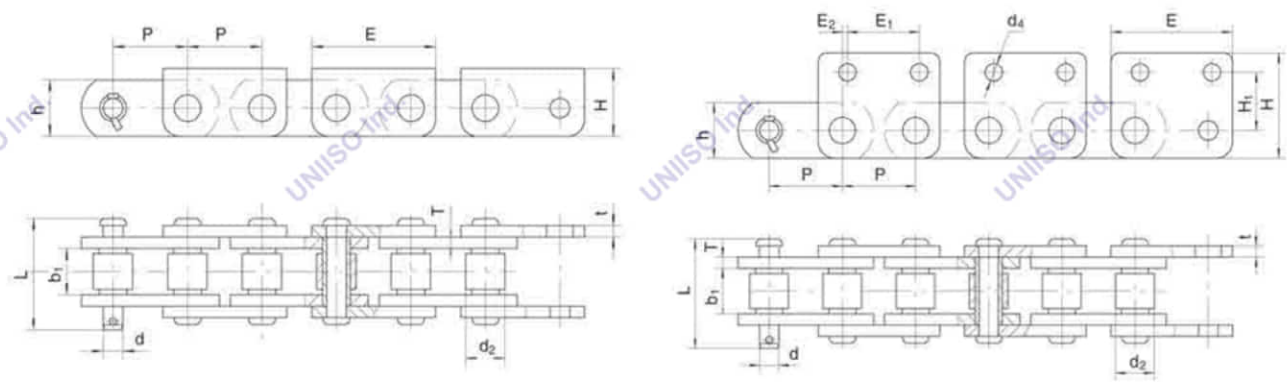


链号 Chain No.	节距 Pitch	滚子外径 Roller diameter	内节内宽 Width between inner sidebar	销轴 Pin		链板 Sidebar		最小抗拉强度 Ultimate tensile strength	附件 ATT.						
	P mm	d ₃ (max) mm	b ₃ (min) mm	d mm	L mm	h mm	l/T mm	F _U (min) kN	F ₁ mm	F ₂ mm	W mm	E mm	E ₁ mm	d ₄ mm	H mm
RS3001-K3	104.55	41.28	50.4	19.05	108.4	44.5	9.5	267	120.65	134.92	177.8	155.6	44.45	11.1	41.3
4116SP-K3	104.55	41.28	50.4	19.05	110	44.5	9.5	267	120.65	134.92	177.8	155.6	44.5	11.1	41.3

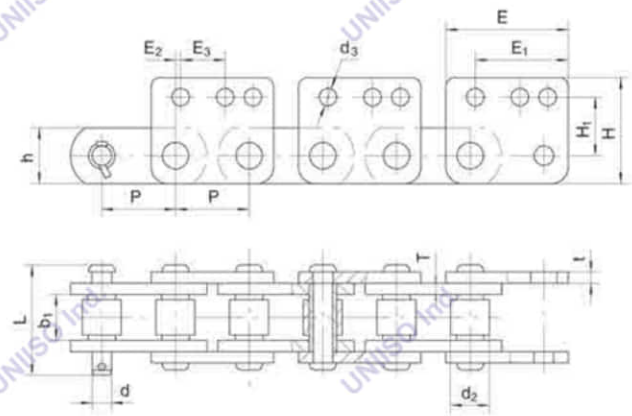
挖沟机 Trencher



Trencher Chains

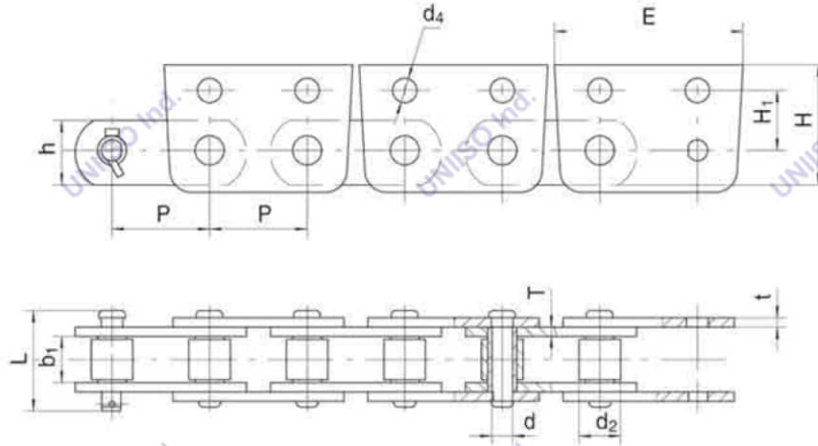


链号 Chain No.	节距 Pitch	内节内宽 Width between inner sidebars	滚子直径 Roller diameter	销轴 Pin		链板 Sidebar		最小抗拉强度 Ultimate tensile strength	每米重量 Weight per meter	附件 ATT.					
				d	L	l/T	h			Fu(min) kN	q kg/m	H1 mm	H mm	E mm	E1 mm
2250GL-M	42.01	25.2	22.23	11.1	56.3	4.9	31.8	120	6.57	-	38.1	69.8	-	-	-
2250GL-M2	42.01	25.2	22.23	11.1	63.8	6.4	31.8	120	9.47	33.3	60.3	69.8	41.3	2.9	9.95
408LP	103.78	40.5	44.45	22.23	115.2	12.7	76.2	450	31.9	-	82.6	182.4	-	-	-

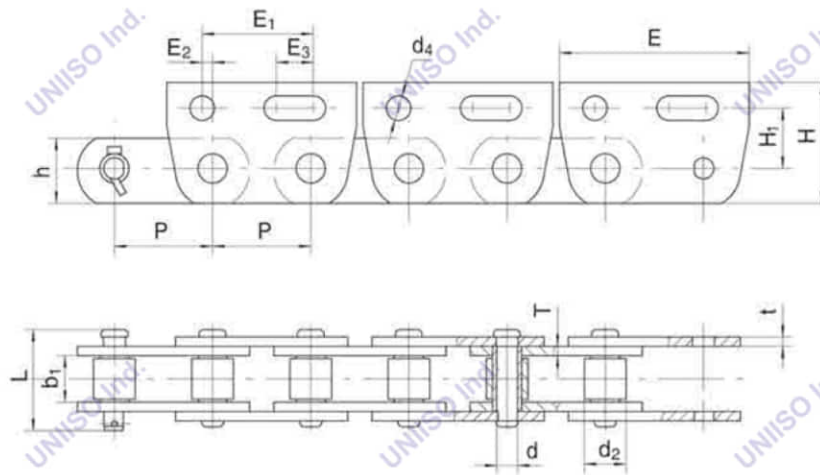


链号 Chain No.	节距 Pitch	内节内宽 Width between inner sidebars	滚子直径 Roller diameter	销轴 Pin		链板 Sidebar		最小抗拉强度 Ultimate tensile strength	每米重量 Weight per meter	附件 ATT.						
				d	L	l/T	h			Fu(min) kN	q kg/m	H1 mm	H mm	E mm	E1 mm	E2 mm
2250GL-M3	42.01	25.2	22.23	11.1	26.9	29.4	31.8	4.9	120	33.3	60.3	69.8	41.3	2.9	25.4	9.95

Trencher Chains

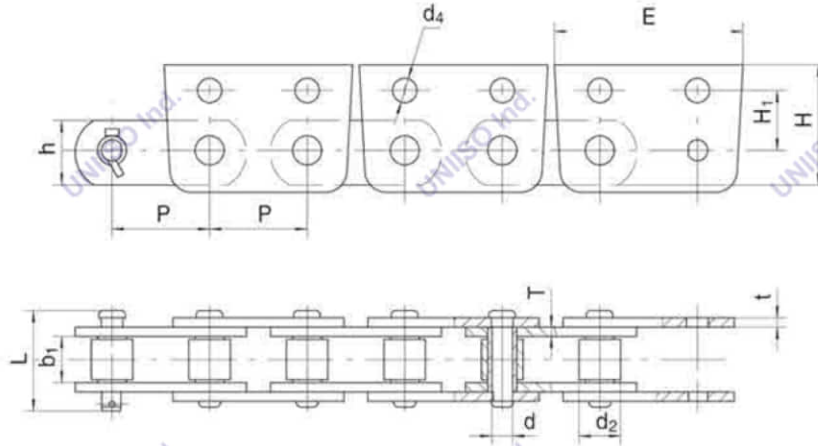


链号 Chain No.	节距 Pitch	滚子外径 Roller diameter	内节内宽 Width between inner sidebar	销轴 Pin		链板 Sidebar		最小抗拉强度 Ultimate tensile strength	每米重量 Weight per meter	附件 ATT.						
				P mm	d ₁ (max) mm	b ₁ (min) mm	d mm			L mm	h mm	t/T mm	Fu(min) kN	q kg/m	H ₁ mm	H mm
50.8K	50.8	31.1	28.58	14.17	73.1	38.1	6.4	189	13.8	38.1	76.2	100	13.5			

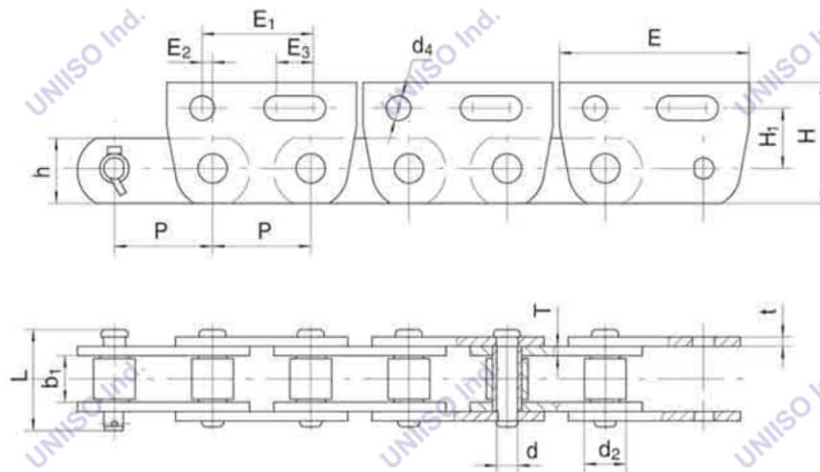


链号 Chain No.	节距 Pitch	滚子外径 Roller diameter	内节内宽 Width between inner sidebar	销轴 Pin		链板 Sidebar		最小抗拉强度 Ultimate tensile strength	每米重量 Weight per meter	附件 ATT.							
				P mm	d ₁ (max) mm	b ₁ (min) mm	d mm			L mm	h mm	t/T mm	Fu(min) kN	q kg/m	H ₁ mm	H mm	E mm
2600	67.31	31.1	28.58	14.27	73.1	44.5	6.4	189	13.1	41.28	82.6	132	76.2	7.1	25.4	16.8	

Trencher Chains

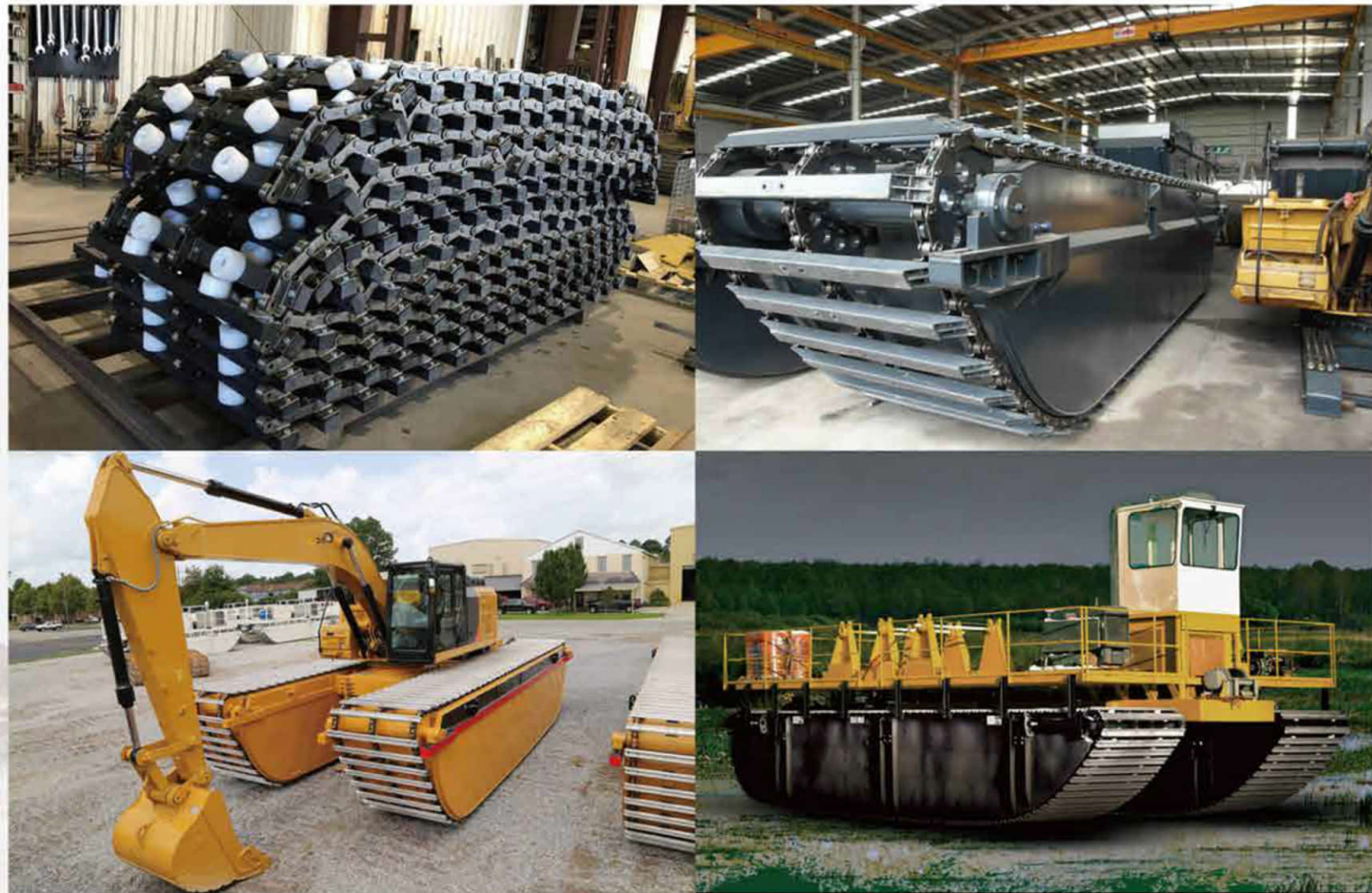


链号 Chain No.	节距 Pitch	滚子外径 Roller diameter	内节内宽 Width between inner sidebar	销轴 Pin		链板 Sidebar		最小抗拉强度 Ultimate tensile strength	每米重量 Weight per meter	附件 ATT.						
				d	L	h	t/T			Fu(min) kN	q kg/m	H _i mm	H mm	E mm	d _i mm	
50.8K	50.8	31.1	28.58	14.17	73.1	38.1	6.4	189	13.8	38.1	76.2	100	13.5			



链号 Chain No.	节距 Pitch	滚子外径 Roller diameter	内节内宽 Width between inner sidebar	销轴 Pin		链板 Sidebar		最小抗拉强度 Ultimate tensile strength	每米重量 Weight per meter	附件 ATT.						
				d	L	h	t/T			Fu(min) kN	q kg/m	H _i mm	H mm	E mm	E ₂ mm	E ₃ mm
2600	67.31	31.1	28.58	14.27	73.1	44.5	6.4	189	13.1	41.28	82.6	132	76.2	7.1	25.4	16.8

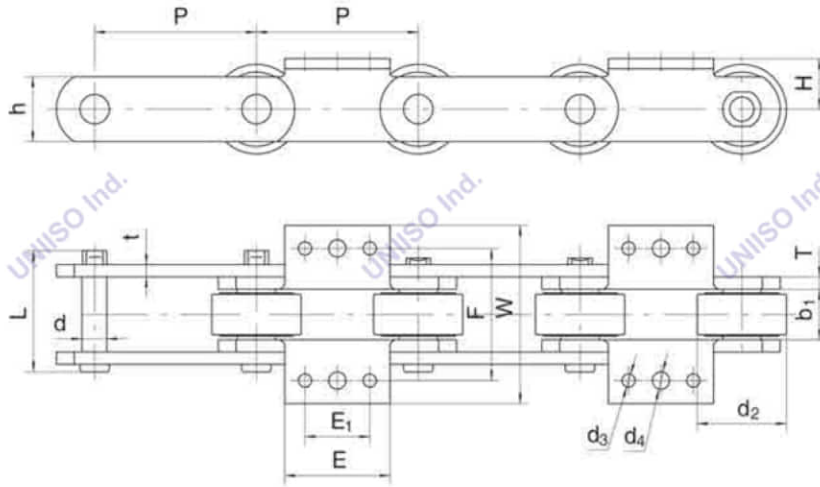
沼泽机械 Marsh Machinery



洗煤机 Coal Washer



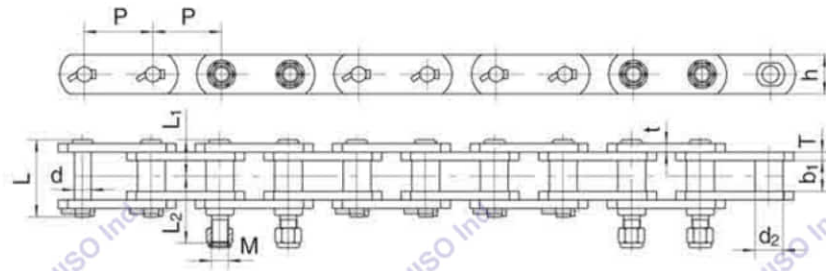
Marsh Buggy Chains



链号 Chain No.	节距 Pitch	滚子外径 Roller diameter	内节内宽 Width between inner sidebar	销轴 Pin		链板 Sidebar		最小抗拉强度 Ultimate tensile strength	每米重量 Weight per meter	附件 ATT.						
	P mm	d _r (max) mm	b _i (min) mm	d mm	L mm	h mm	t/T mm	Fu(min) kN	q kg/m	W1 mm	W mm	E1 mm	E mm	d3 mm	d4 mm	H mm
UNIISO76.2-K3	76.2	25.5	50.8	11.1	61.8	38.1	6.4	180	12.4	77.6	101.6	35	57.5	9.8	9.8	33.2
UNIISO127-K3	127	38.4	69.85	19	96.5	50.8	9.6	353	21.6	103.4	139.4	50.8	82.6	10.3	13.5	39.6
UNIISO101.6-K3	101.6	31.8	57.15	15.88	33.8	38.1	44.4	6.4	240	133.6	50.8	82.6	10.3	15	36	133.6

洗煤机链

Coal washer chain

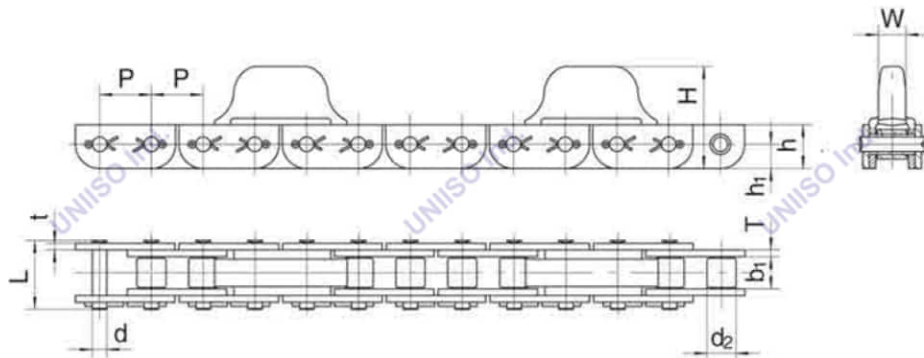


链号 Chain No.	节距 Pitch	内节内宽 Width between inner sidebars	套筒 外径 Bush diameter	销轴 Pin		加长销轴 Extended pin		链板 Sidebar		最小抗拉强度 Ultimate tensile strength
	P mm	b _i (min) mm	d _b mm	d mm	L mm	L1 mm	M mm	t/T mm	h mm	Q(min) kN
UNIISO1535-D4	78.1	36.5	31.75	19.05	92.3	120.5	3/4-10NC	9.5	44.5	223
UNIISO2142-D4	78.1	34.7	31.75	19.05	90.3	119.5	3/4-10NC	9.5	44.5	223

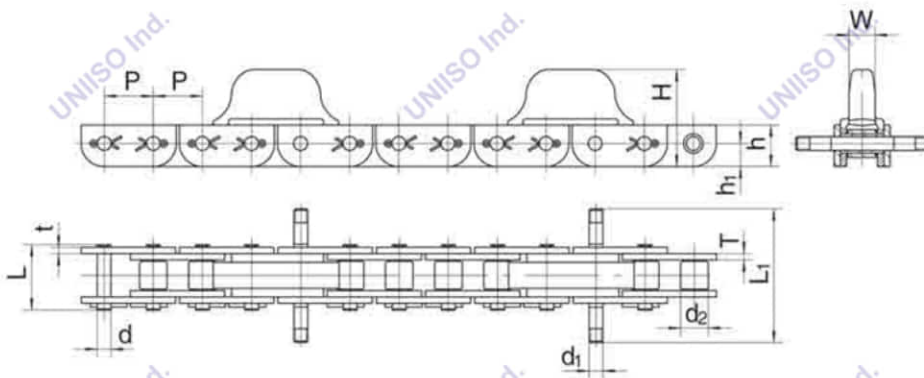
*注：销轴、套筒镀硬洛

*Remark: Hard chromium plating of pin and bush

Caterpillar Drive chain



链号 Chain No.	节距 Pitch	滚子 外径 Roller diameter	内节内宽 Width between inner sidebars	销轴 Pin		链板 Sidebar		附件 ATT.		
	P mm	d _r (max) mm	b _i (min) mm	d mm	L mm	h mm	t/T mm	W mm	H mm	h ₁ mm
C160CP-458	50.8	28.58	31.65	14.27	68.8	42.9	6.5	/	/	/
C160CP-458	50.8	28.58	31.65	14.27	68.8	42.9	6.5	24	84.25	23.8
C160CP-678	50.8	28.58	31.65	14.27	68.8	42.9	6.5	27	100	23.8

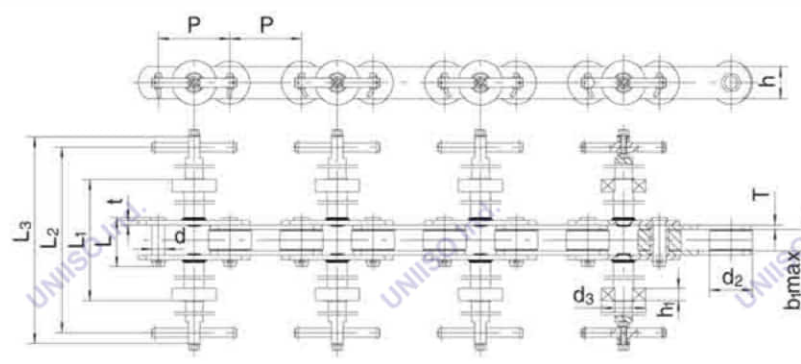


链号 Chain No.	节距 Pitch	滚子 外径 Roller diameter	内节内宽 Width between inner sidebars	销轴 Pin		链板 Sidebar		附件 ATT.				
	P mm	d _r (max) mm	b _i (min) mm	d mm	L mm	h mm	t/T mm	W mm	H mm	h ₁ mm	d _i mm	L _i mm
C160CP-X678-DD1	50.8	28.58	31.65	14.27	68.8	42.9	6.5	27	100	23.8	14.1	138.88

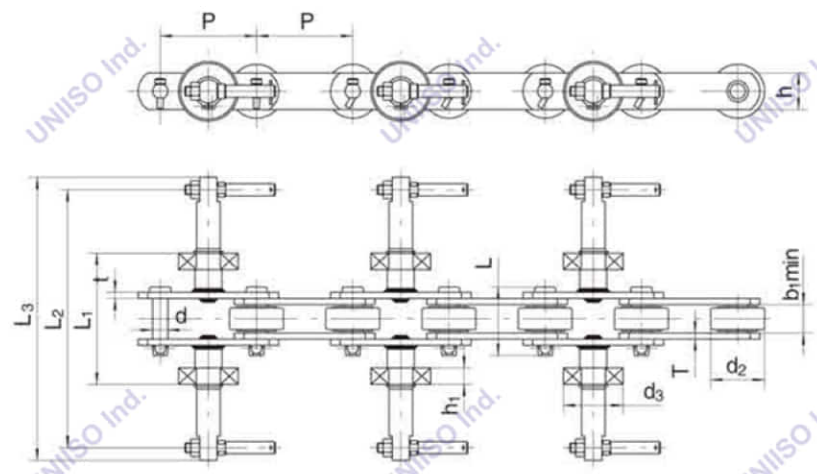
乳胶手套 Rubber Glove



Latex gloves line chain

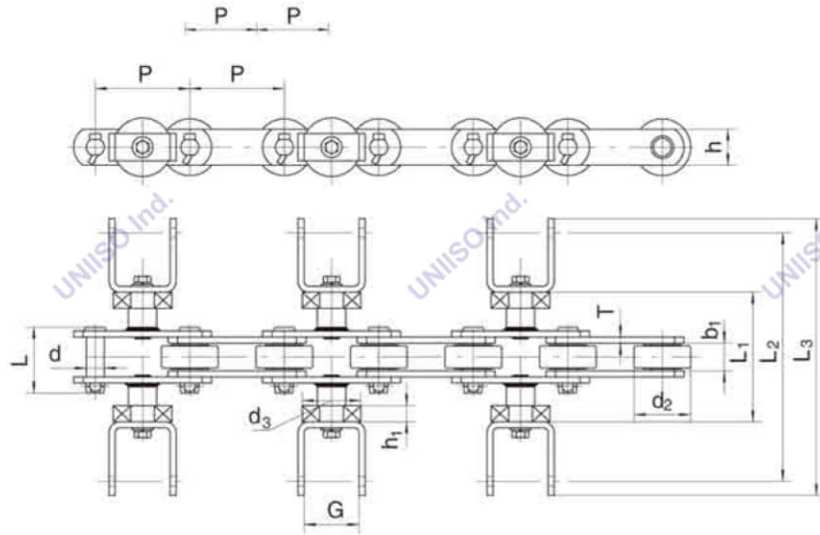


链号 Chain No.	节距 Pitch	滚子外径 Roller diameter	内节内宽 Width between inner sidebar	销轴 Pin		链板 Sidebar		最小抗拉强度 Ultimate tensile strength	附件 ATT.				
				d	L	h	t/T		Fu(min) kN	L ₁	L ₂	L ₃	d ₂
P100F550/580	100	60	29.5	18	73	44.5	6.4	280	224	550	580	62	17
P100F450/480	100	56	29.5	18	73	44.5	6.4	280	222	450	480	62	17

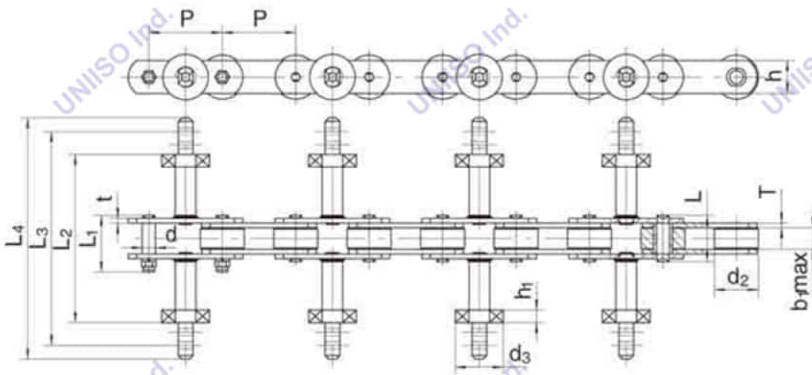


链号 Chain No.	节距 Pitch	滚子外径 Roller diameter	内节内宽 Width between inner sidebar	销轴 Pin		链板 Sidebar		最小抗拉强度 Ultimate tensile strength	附件 ATT.				
				d	L	h	t/T		Fu(min) kN	L ₁	L ₂	L ₃	d ₂
P100F250/276	100	60	30	16	74	38	6.4	160	138	250	276	62	17

Latex gloves line chain



链号 Chain No.	节距 Pitch	滚子外径 Roller diameter	内节内宽 Width between inner sidebar	销轴 Pin		链板 Sidebar		最小抗拉强度 Ultimate tensile strength	附件 ATT.					
				P mm	d(max) mm	b(min) mm	d mm		L mm	h mm	t/T mm	Fu(min) kN	L ₁ mm	L ₂ mm
P100F289.5/320.5	100	60	30	16	74	38	6.4	160	142.5	289.5	320.5	62	36	17



链号 Chain No.	节距 Pitch	滚子外径 Roller diameter	内节内宽 Width between inner sidebar	销轴 Pin		链板 Sidebar		最小抗拉强度 Ultimate tensile strength	附件 ATT.					
				P mm	d(max) mm	b(min) mm	d mm		L mm	h mm	t/T mm	Fu(min) kN	L ₁ mm	L ₂ mm
P100F280/340	100	58	30	14	62.5	38	6.4	160	74.48	252	340	252	62	17

UNIISOTM
POWER TO THE WORLD



Shanghai UNIISO Industries Co.,Ltd.

Add: No.5699, Hangnan Rd. Fengpu Industrial Park

Fengxian Dist. Shanghai City, P.R.China.

Tel:+8617317253554

Email: sales@uniisoindustries.com

www.uniisoindustries.com

